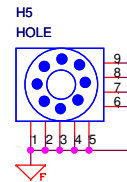
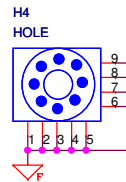
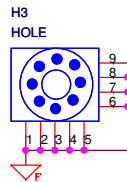
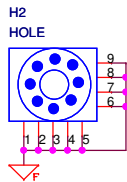
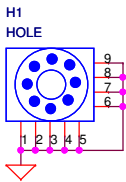
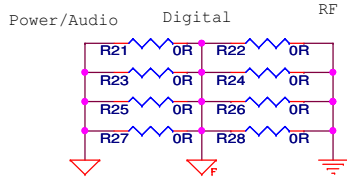
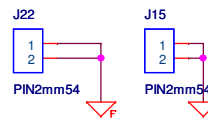
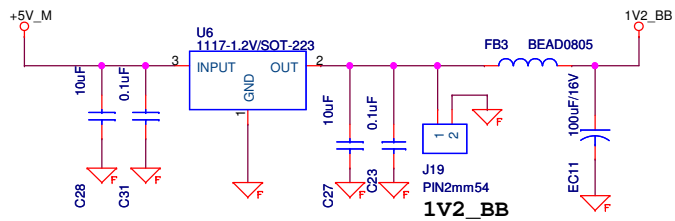
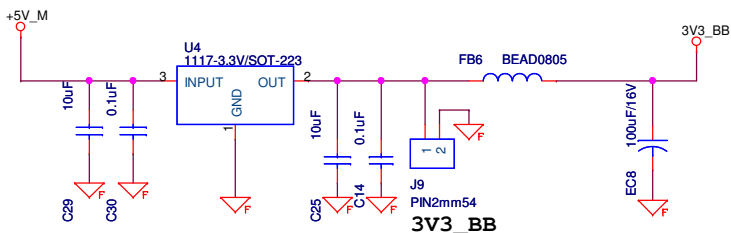
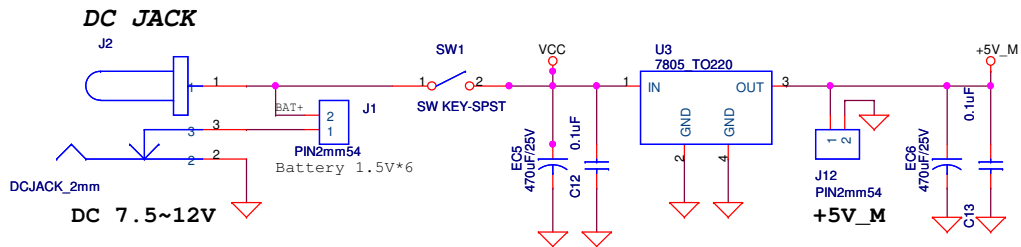


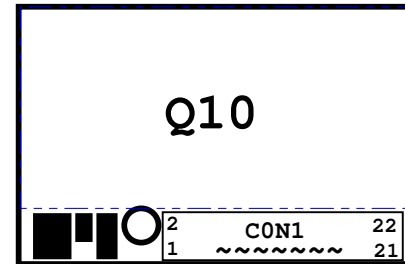
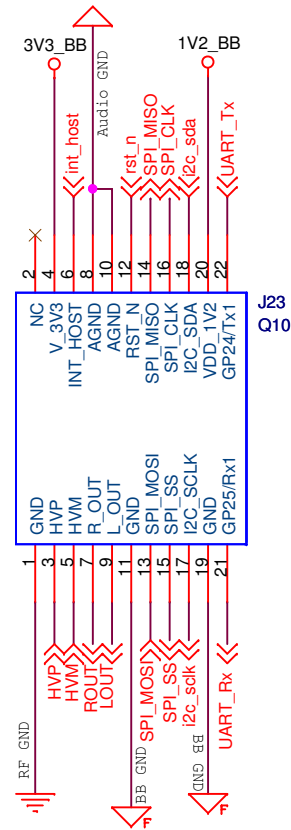
# POWER DISTRIBUTION



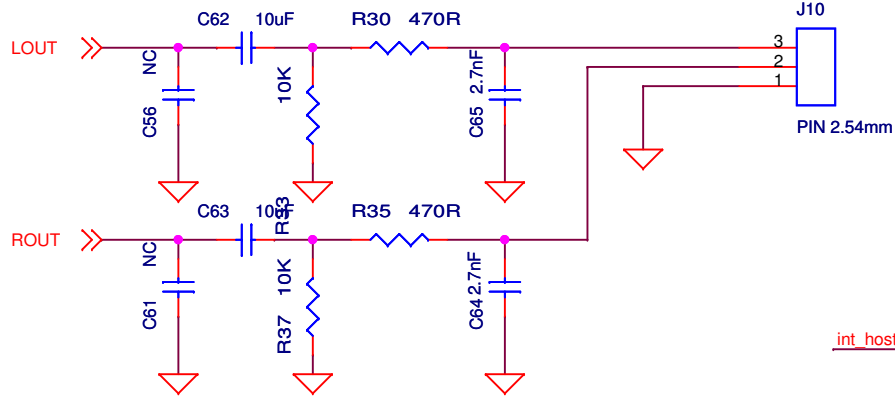
Title 01 Power		
Size	Document Number QL-Board-Plus	Rev V1.0
Date:	Friday, December 09, 2011	Sheet 2 of 5

# CON1

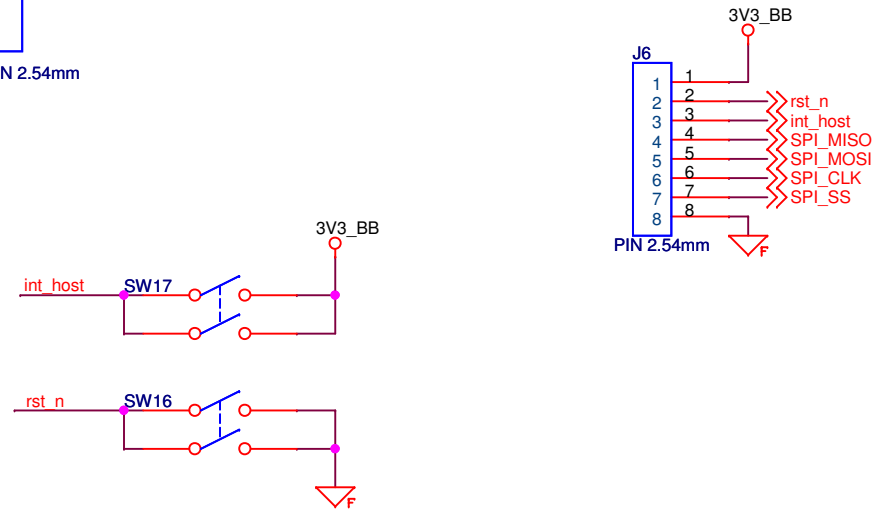
PIN	SIGNAL	SIGNAL	PIN
2	RF_1V8	GND	1
4	V_3V3	HVP	3
6	INT_HOST	HVM	5
8	AGND	R_OUT	7
10	AGND	L_OUT	9
12	RST_N	GND	11
14	SPI_MISO	SPI_MOSI	13
16	SPI_CLK	SPI_SS	15
18	I2C_SDA	I2C_SCLK	17
20	VDD_1V2	GND	19
22	GP24/Tx1	GP25/Rx1	21



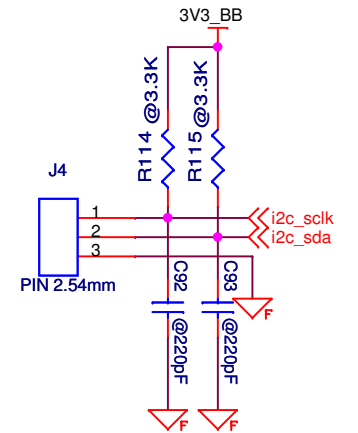
## Audio OUT



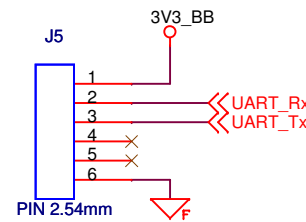
## SPI SLAVE INTERFACE



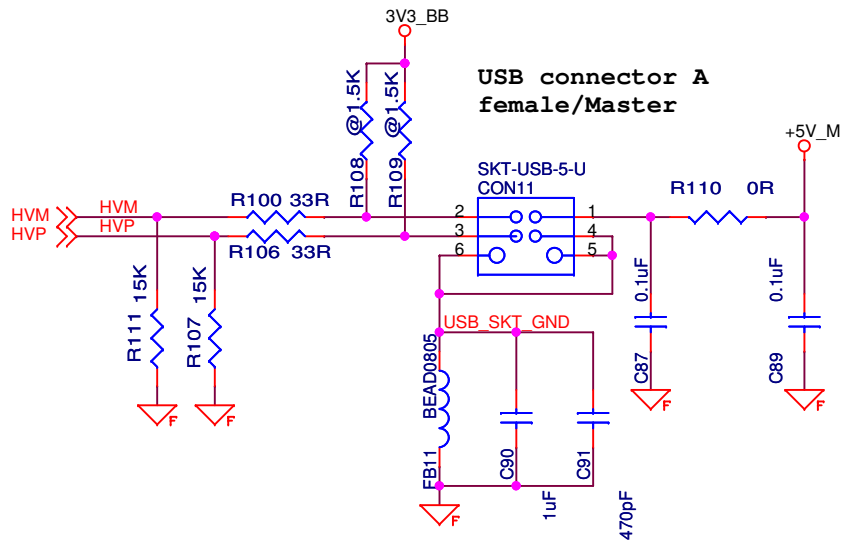
## I2C INTERFACE



## UART INTERFACE



## USB connector A female/Master



**Quantek, Inc.**

Title		
03 Interface-1		
Size	Document Number	Rev
A4	QL-Board-Plus	V1.0
Date:	Friday, December 09, 2011	Sheet 5 of 5