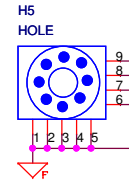
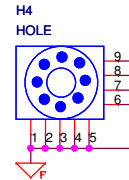
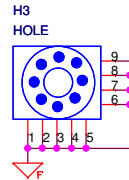
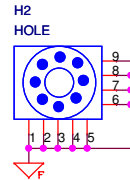
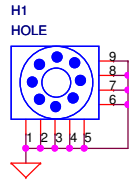
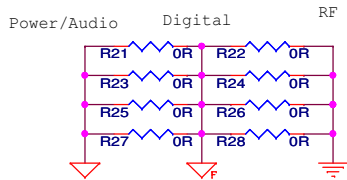
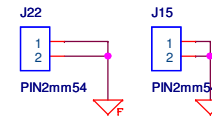
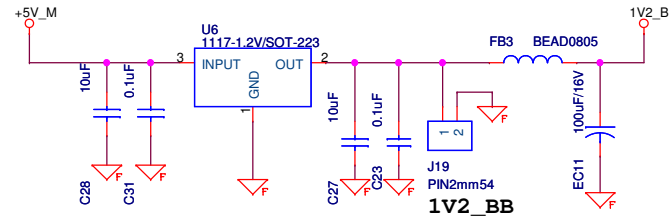
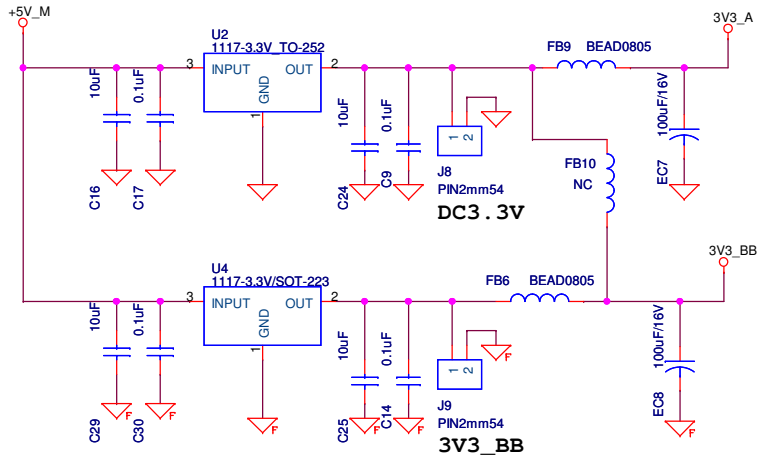
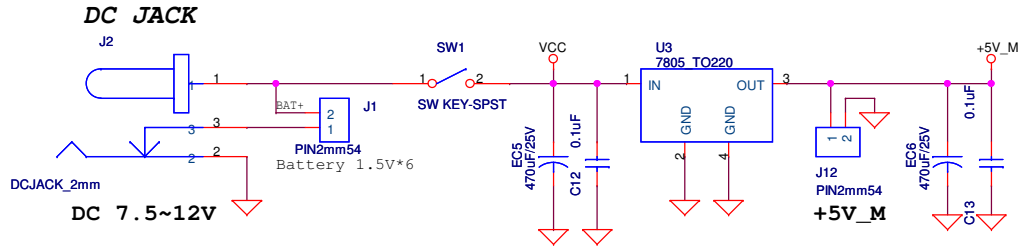


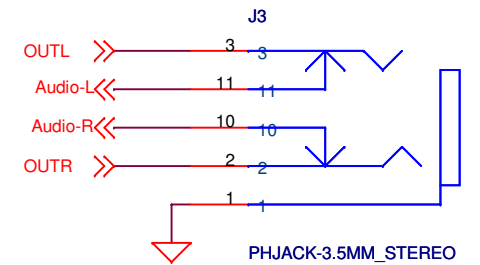
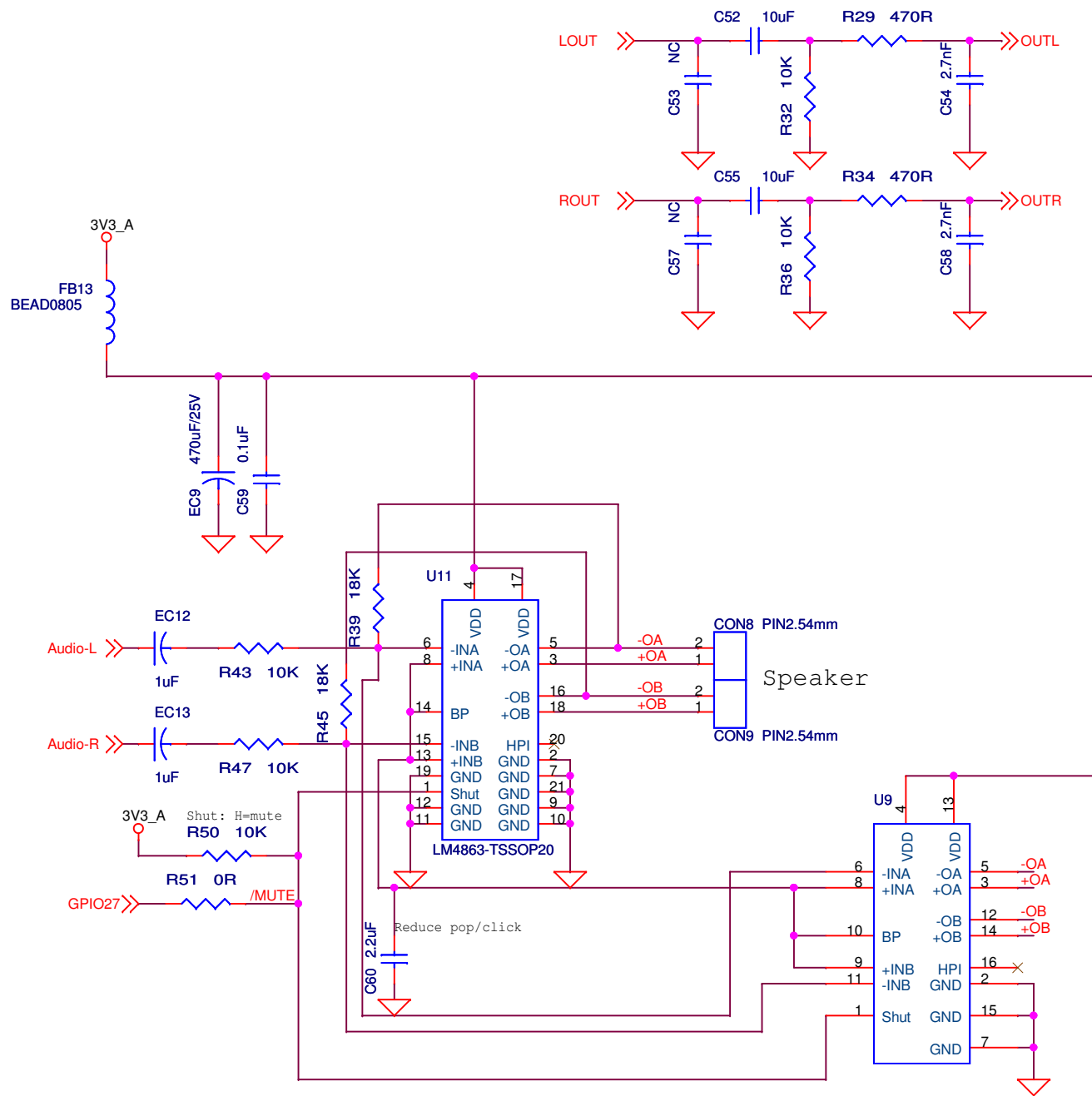
Quantek, Inc.

Title		
00 BOARD FLOOR PLAN		
Size	Document Number	Rev
A4	QL-Board-Plus	V1.0
Date:	Tuesday, November 27, 2012	Sheet 1 of 5

POWER DISTRIBUTION



Title 01 Power		
Size	Document Number QL-Board-Plus	Rev V1.0
Date:	Tuesday, November 27, 2012	Sheet 2 of 5

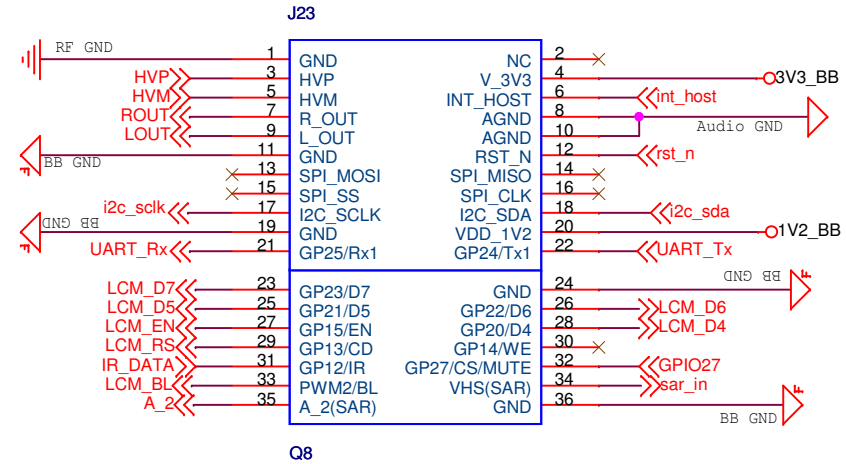


L4863-SOP16

Title 02 Audio		
Size	Document Number QL-Board-Plus	Rev V1.0
Date:	Tuesday, November 27, 2012	Sheet 3 of 5

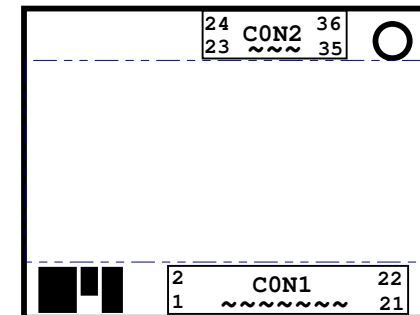
CON2

24	26	28	30	32	34	36	PIN
GND	GP22/D6	GP20/D4	GP14/WE	GP27/CS/MUTE	VHS(SAR)	GND	SIGNAL
GP23/D7	GP21/D5	GP15/EN	GP13/CD	GP12/IR	PWM2/BL	A_2(SAR)	SIGNAL
23	25	27	29	31	33	35	PIN

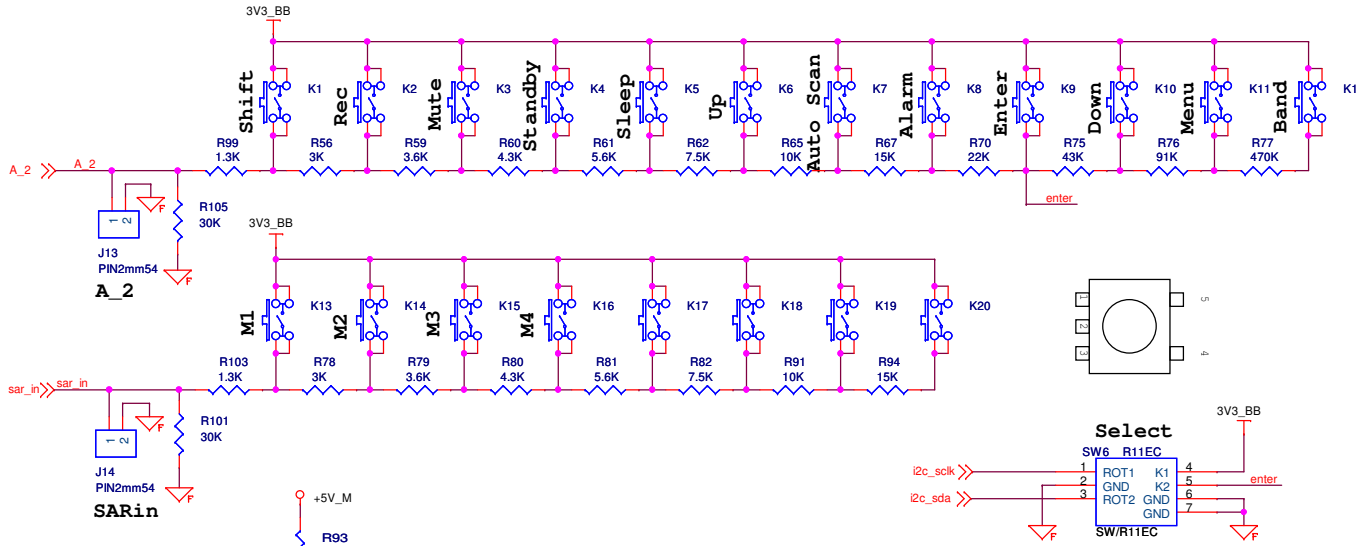


CON1

2	4	6	8	10	12	14	16	18	20	22	PIN
RF_1V8	V_3V3	INT_HOST	AGND	AGND	RST_N	SPI_MISO	SPI_CLK	I2C_SDA	VDD_1V2	GP24/Tx1	SIGNAL
GND	HVP	HVM	R_OUT	L_OUT	GND	SPI_MOSI	SPI_SS	I2C_SCLK	GND	GP25/Rx1	SIGNAL
1	3	5	7	9	11	13	15	17	19	21	PIN



KEY INTERFACE



UART INTERFACE

